
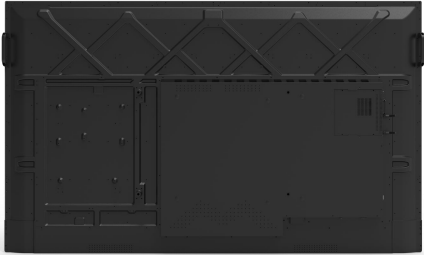


Ikinor Ikinor IK Series 3.0 Interactive Flat Panel Display

Model	IK65	IK75	IK86	IK98
Product picture				
Display specification				
Diagonal display size	65"	75"	86"	98"
LED Brand	CSOT/BOE/LG			
Bezel color	Aluminum frame(Silver color)			
Back Light	Direct type LED			
Active area (mm)/(H) * (V)	1428.48 * 803.52	1649.66 * 927.93	1895.04 * 1065.96	2158.85 * 1214.35
Resolution	3840*2160 @60HZ			
Aspect Ratio	16:9			
Contrast Ratio	1200:1/4000:1			
Colors	1.07 billion colors			
Brightness	350cd/m2			
Viewing angle	178°			
Lifetime	≥350cd/m ²			
Glass hardness	Mohs-7 level			
Screen surface	4mm thickness Anti-Glare glass			
Bonding Technology	Zero Bonded, no Air Gap between the LED and glass			
Panel Interactivity				
Touch technology	IR touch			
Touch points	40 points (Win 7/8/10) 20 points touch (Android)			
Touch accuracy	±2mm(Windows)			
Recognition	Finger, IWB Pen or any Opaque object			
Response Rate	≤4ms			
Minimum object size	2mm			
Response Time	≤5 ms			
Speaker	15W*2			
Hotspot	Yes			
Bluetooth	V 5.0(2.4Hz)			
WiFi	Support WIFI 6, 802.11 ac/b/g/n/ac, 2.4GHz/5 GHz			
Windows OPS Slot	OPS & OPS-C Intel standard			
System support	Win10/Win8/Win7/Mac OS			
Operating system				
Android Version	Android 11.0			
Chipset	Amlogic 311D2			
CPU	A73*4 + A53*4 (4 Core+4 Core)			
GPU	G52*8(8 Core) @2.28GHz			
RAM	4GB(8GB for optional)			
ROM	32GB(128GB for optional)			
Compliant with	Windows; Mac; Linux; Chrome OS			
Front side Connectivity				
Front ports	USB3.0 Type A * 3 Touch USB3.0 type B * 1 HDMI in 2.0 * 1 Type C * 1			
Front Button	Indicator: Red/Blue, Lighter Sensor, One kry recover Screen Record/Ratio/V- / V+/Setting/ECO/Power			

Rear side Connectivity

Rear side ports	Public USB 3.0 *2 (Type A) RJ45 in *1 RJ45 out *1 Type-C 3.0 *1 HDMI OUT 2.1 *1 HDMI in 2.0 *2 Touch out USB 3.0 *2 (Type B) COAX OUT *1 RS232 *1 OTG-USB 2.0 *1 (Type A) DP IN 1.2a *1 VGA in *1 VGA AUDIO in *1 Earphone/Line out *1
------------------------	---

Physical Specifications

Net Weight /(kg±2)	43	55	80	92
Gross Weight /(kg±2)	53	65	93	110
Overall size(mm) (without bracket)/(L*H*W)	1483.8 * 884.4 * 91.2	1706 * 1008.5 * 91.2	1958.8* 1148.1 * 91.2	2216 * 1301 * 101.5
Overall size(mm) (with bracket)/(L*H*W)	1483.8 * 884.4 * 121.2	1706 * 1008.5 * 121.2	1958.8* 1148.1 * 121.2	2216 * 1314.5 * 125.5
Carton size(mm)/(L*H*W)	1590 * 1110 * 200	1820 * 1240 * 200	2060*1370*200	2362 * 1533 * 210
VESA/(mm)	500*400	600*400	800*400	1000*400

Electrical

Input Voltage	90-264V AC			
Power Consumption(Standby)	<0.5W			
Power Consumption	Maximun< 225W	Maximun< 335W		Maximun< 450W

Environmental

Working Temperature	0°C ~ 40°C
Storage Temperature	-20°C ~ 60°C
Working Humidity	10% ~ 90% RH, Non-Condensing
Storage Humidity	10% ~ 60% RH, Non-Condensing

OPS PC(Optional)

CPU	I5(I3/I7 for optional)
RAM	8G(4G/16G for optional)
ROM	128G SSD (256G/512G)
Standrad	80 PIN(Chinese Standard/international standard)
Dimension/cm	195*180*42/119*180*30

Camera(Optional)

Model	UHD Camera
Install Method	Built-in(on the middle-upper frame)
Pixel	13MP
FOV	Diagonal: 120°
Compliant with OS	Windows; Android; Mac; Linux; Chrome OS

Microphone(Optional)

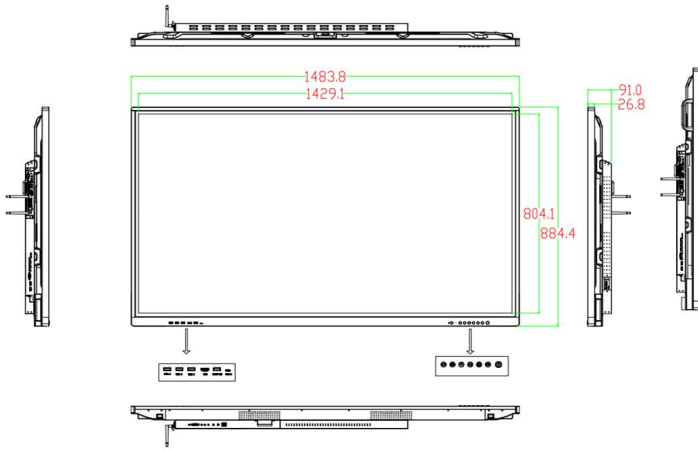
Install Method	Built-in(on the middle-upper frame)
Number	8 Array
Voice Pickup	0-8M

Accessories

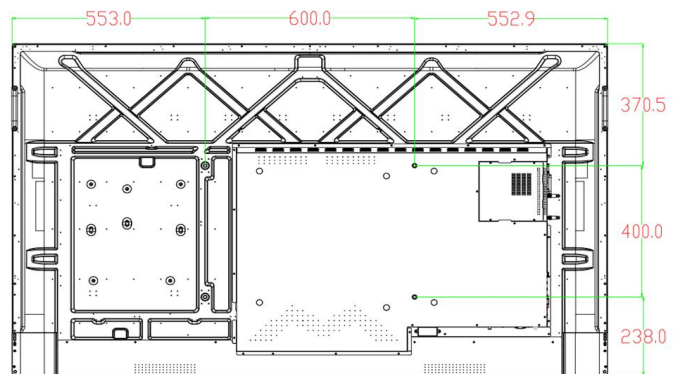
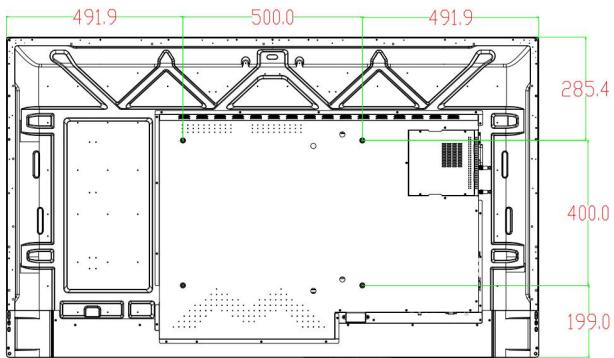
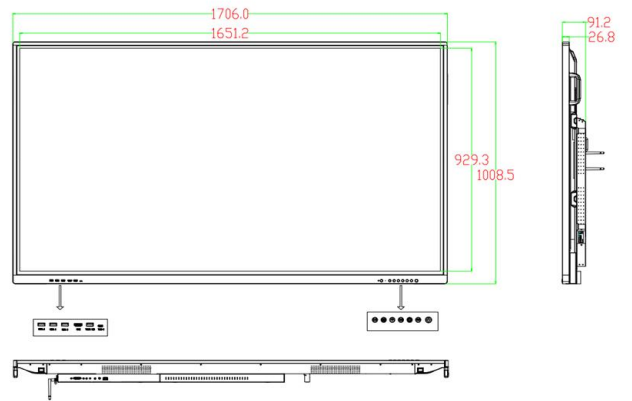
Accessories	Pen * 1, Remote control *1, 2m power cord *1, wall mount kit; Pointor*1, Wireless dongle(Optional); Mobile trolley cart(Optional); Smart Pen (Optional)
--------------------	--

Art Work of IFP

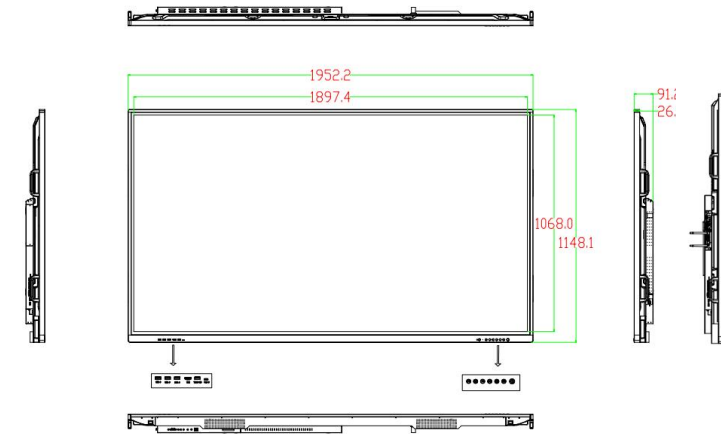
65"



75"



86"



98"

